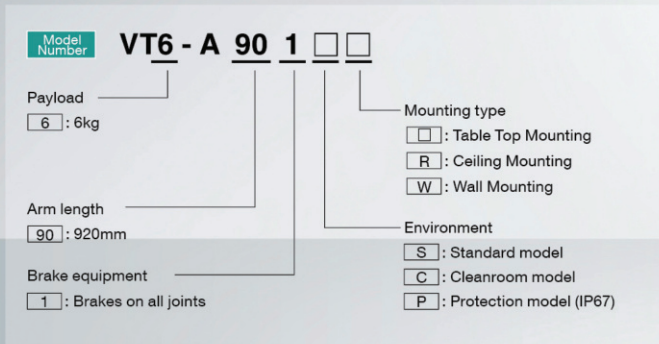


VT6L NEW

Simple setup and high cost-performance for easy and affordable automation

- Space-saving design with built-in controller
- 6-axis versatility without complicated setup
- 100V~240V power source compatibility
- Hollow wrist construction for internal cabling
- Batteryless motor unit for reduced maintenance



Specifications

Model name		VT6L
Model number		VT6-A901□□
Payload (Load)*1	Rated	3 kg
	Max.	6 kg
Max. reach	P point :Joint#1-5 center	920 mm
	Joint#1-5 flange surface	1000 mm
Repeatability	Joint#1-6	± 0.1 mm
Max. motion range*2	J1	166.2 deg/sec
	J2	122.5 deg/sec
	J3	141.2 deg/sec
	J4	Standard, Cleanroom 268.7 deg / sec, Protection-model 188.1 deg/sec
	J5	296.8 deg/sec
	J6	293.2 deg/sec
Allowable moment of inertia*3	Joint#4	0.3 kg·m ²
	Joint#5	0.3 kg·m ²
	Joint#6	0.1 kg·m ²
Mounting type*4	Table top / Ceiling / Wall mount	
Environment spec	Standard, Cleanroom*5 / Protection-model (IP67)	
Weight (cables not included)	40 kg	
Applicable Controller	Built-in controller	
Installed wire for customer use	None (External Wiring Option available)	
Installed pneumatic tube for customer use	None (External Wiring Option available)	
Power	AC100-240 V single phase	
Power Consumption*6	1.2 kVA	
Cable length	5 m	
I/O	Standard I/O	In 24, Out 16 (Non polarity)
	Remote I/O	In 8, Out 8 (Remote function assigned to standard I/O)
Safety standard	CE, KC*7	

*1 : Do not apply the load exceeding the maximum payload.

*2 : In case of PTP control

*3 : If the center of gravity is at the center of each arm. If the center of gravity is not at the center of each arm, set the eccentric quantity using INERTIA command.

*4 : Manipulators are set to "Table Top mounting" at shipment. To use the manipulators by other installation coordination, need to change the model settings on RC+ software. (Clean room & Protection models require table top mo

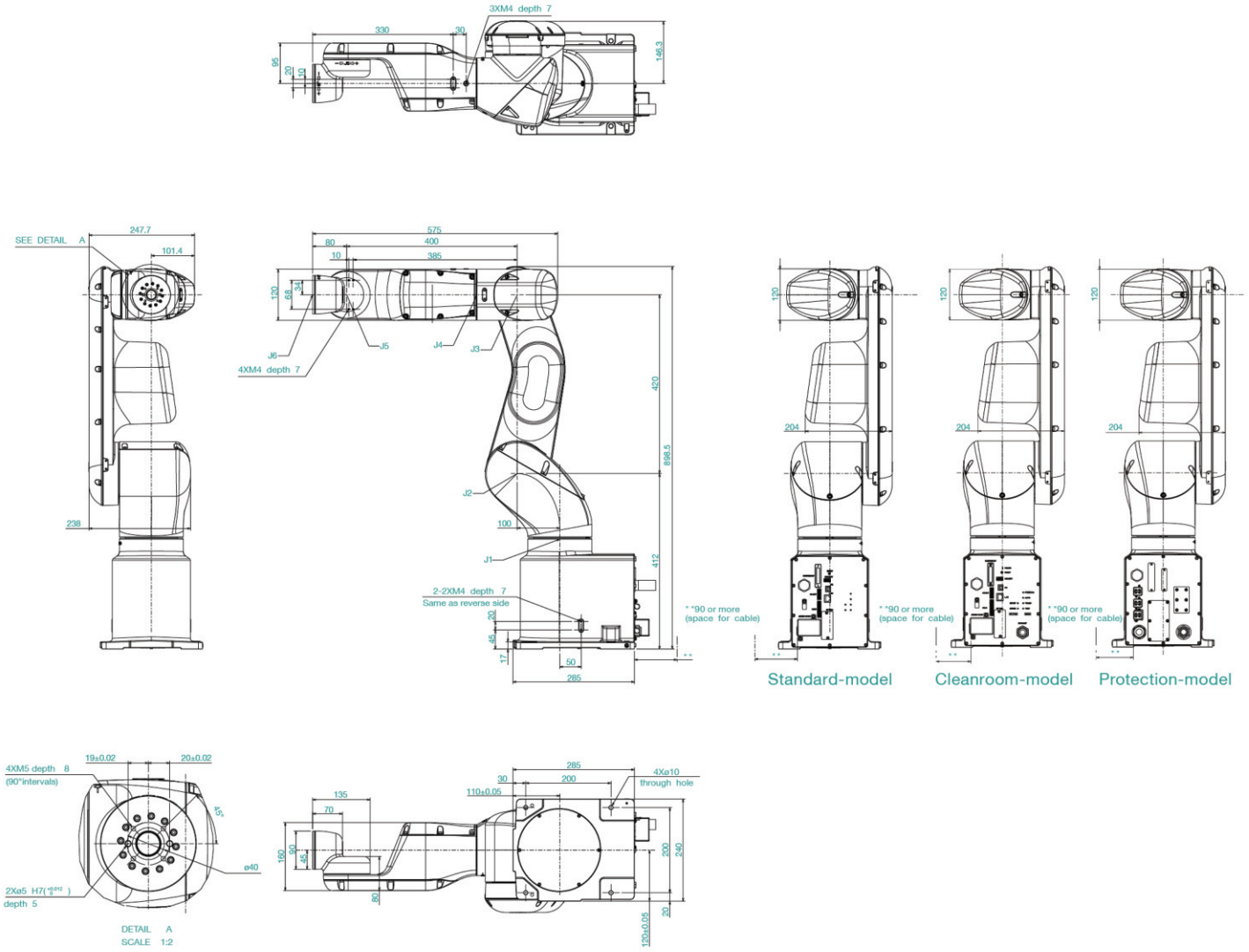
*5 : Complies with ISO Class 5 (ISO14644-1) and older Class 1 cleanroom standards.

*6 : It depends on operating environment and operation program.

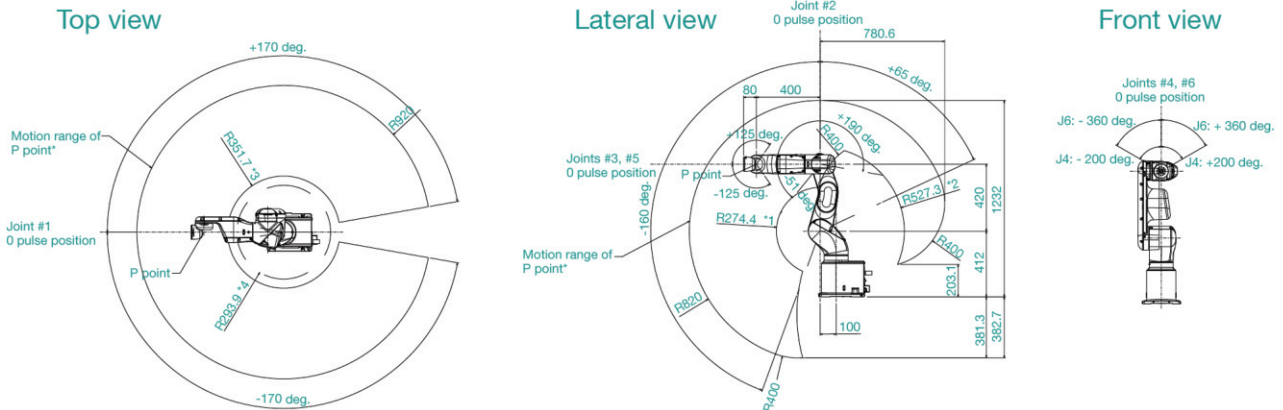
*7 : Scheduled to be acquired in March 2020

Outer Dimensions (Table Top Mounting)

[Unit: mm]



Motion Range (Table Top Mounting)



SCARA robots

6-axis robots

Controllers

Software

Vision systems

Force-sensing systems

Options